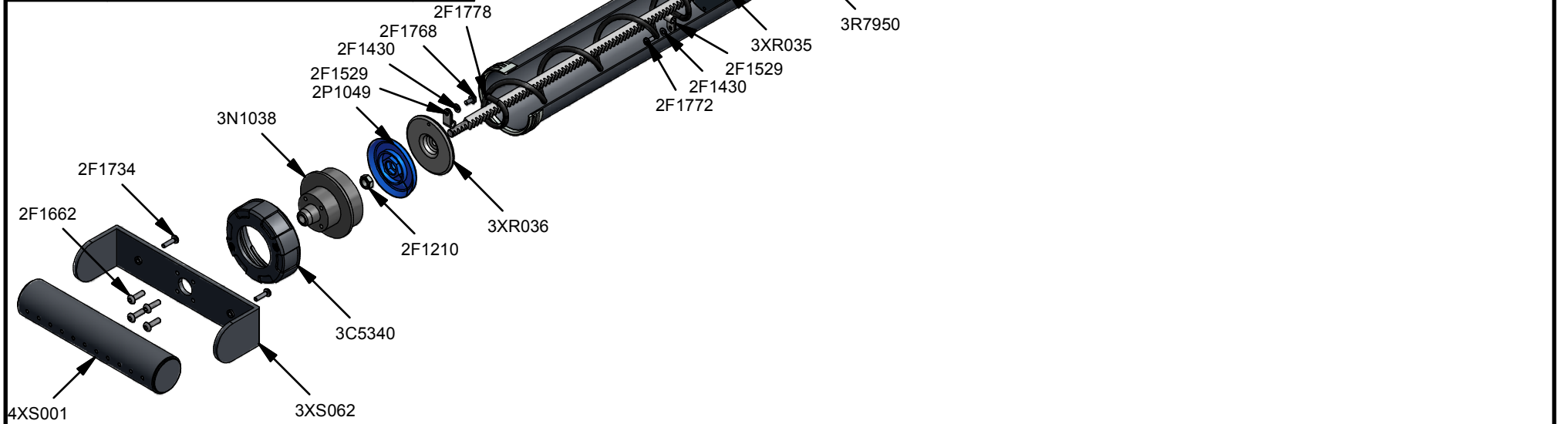


| Parts List | | | Parts List | | |
|------------|---|-----|------------|-------------------------------------|-----|
| STOCK No | DESCRIPTION | QTY | STOCK No | DESCRIPTION | QTY |
| 2F1210 | M8 Nylock Nut | 1 | 4XS001 | Spreader Tube and End Bung Assembly | 1 |
| 2F1430 | M4 Washer | 6 | 7B4068 | Barrel | 1 |
| 2F1529 | P Clip | 6 | 7E1500 | Easipower Butt | 1 |
| 2F1649 | Screw | 1 | 7E1510 | Easipower Battery | 1 |
| 2F1662 | Screw M5 x 16mm | 4 | | | |
| 2F1734 | M4 x 16mm Screw | 2 | | | |
| 2F1768 | M4 x 8mm Screw | 2 | | | |
| 2F1772 | M4 x 8mm Screw | 4 | | | |
| 2F1778 | Pan head screw with type H cross recess - product grade A | 6 | | | |
| 2F2029 | Roll Pin | 1 | | | |
| 2M6107 | Barrel Screw Insert | 1 | | | |
| 2M6120 | Electraflow Rack Handle (Thru Hole) | 1 | | | |
| 2M6123 | Electraflow Rack Lock (Easi Power) | 1 | | | |
| 2M6124 | Insert | 1 | | | |
| 2P1049 | Split Satchet Plunger | 1 | | | |
| 3C5340 | 2½" Cap 46.2 dia hole | 2 | | | |
| 3N1038 | Nozzle | 1 | | | |
| 3R7950 | Rack 950mm (20 DP) | 1 | | | |
| 3T3501 | 5mm Tube | 3 | | | |
| 3XB052 | Barrel Screw | 1 | | | |
| 3XR035 | Rack Stabiliser (Middle) | 2 | | | |
| 3XR036 | Rack Stabiliser (Front) | 1 | | | |
| 3XR042 | Rack Stabiliser (Bulkhead) | 1 | | | |
| 3XS062 | Barth Spreader Head Bar | 1 | | | |



Easi Power Barth 63



www.pccox.co.uk
sales@pccox.co.uk
TEL:44(0)1635 264500

REV
A

DATE
06/02/2013